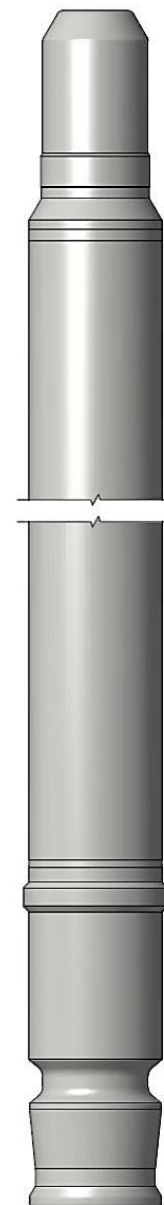


IMENCO BOTTOM RELEASABLE GUIDEPOST GPBR

Main features:

- Different diameters of the Guide Post Body and length are available.
- Special dimensions can be calculated to match required length and load.
- Interface towards standard Imenco Guideline anchor at top.
- Requires no special Anchor or tool to operate the locking mechanism. This is located in the Receptacle.
- Imenco supplies receptacles that interface these Guideposts.
- The receptacles are foreseen to be welded to the subsea structure.
- Left and Right versions for the Locking mechanisms exist.
- Extra-long arm on the lock may be supplied when the Receptacle is located in a inaccessible place.
- The Locking mechanism is provided with a device to prevent it from coming loose due to vibrations in the structure onto which it is welded.
- The Lock is ROV friendly.



**BOTTOM RELEASEABLE
GUIDE POST.
GPBR**

For further information email commercial@imenco.com

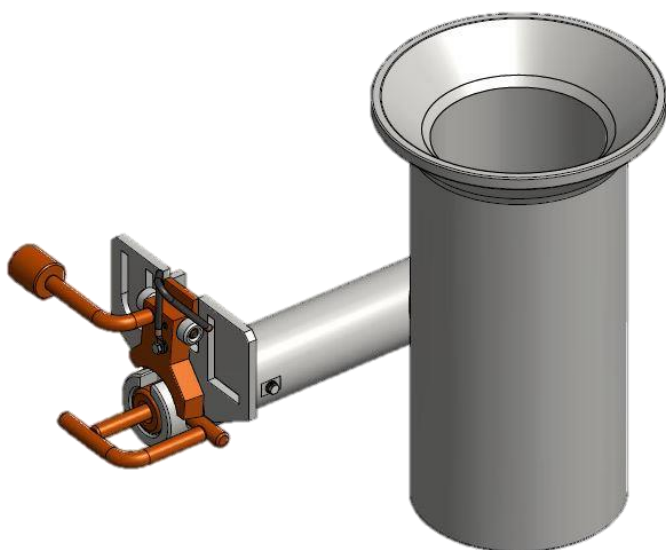
Contact us for additional information or to get a quotation. Send an email to commercial@imenco.com or find personal contact info on our website.

imenco.com

SUBSEA PRODUCT

ACCESSORIES FOR BOTTOM RELEASEABLE GUIDE POST

- Standard or Standard Slimline Anchor may be used for Guide Wire.
- Anchor for lifting shall have either Safety Sleeve or Safety Clip.



**RECEPTACLE FOR
BOTTOM RELEASEABLE
GUIDE POST.**



**STANDARD
SLIMLINE
ANCHOR.**



**STANDARD
ANCHOR.**

For further information email commercial@imenco.com

